

Seldon WaterTap

For a variety of water purification needs...

from under the sink for the kitchen to the recreational property, recreational vehicle or boat

The Seldon WaterTap uses Seldon's unique carbon nanomaterial to absorb contaminants from water. The WaterTap creates drinking water by removing bacteria, virus, cysts and other contaminants without the need for heat, ultra-violet light, chemicals, electricity, or waiting time.

Performance

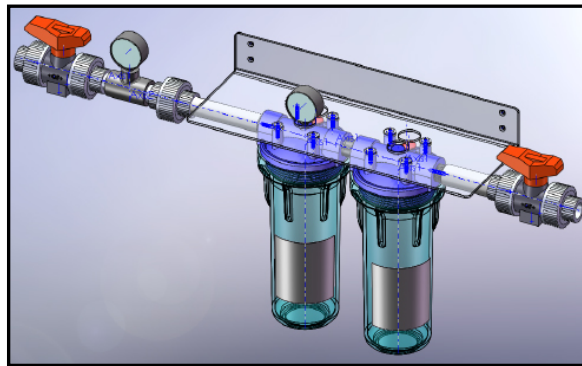
- Cleans up to 1,200 gallons (4,500 liters), depending on input water quality.
- Flow rate averages .6 gallons per minute.

Features

- Water Pressure – operates at standard household pressures up to 60 psi.
Dimensions: 36" (W) x 18" (H) x 6" (D)
- Weight: 13 pounds [estimate]
- 90 day warranty on all parts.

Design Elements

- Designed for use in close proximity of faucet.
- Integrates into standard plumbing fixtures.
- Does not require a plumber.
- Quick-connect fittings for easy installation.

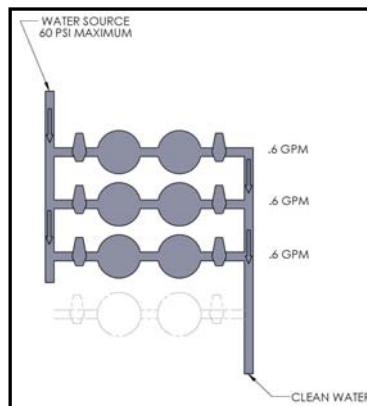


Seldon WaterTap

Flexibility in Design

Increase flow rate and capacity
Add another dual cartridge unit – or several more!!

Water flow through a WaterTap is 0.6 gallons a minute. With each additional dual-cartridge component added, the system's throughflow capacity can expand according to specialized needs.



Independent Testing

Independent testing by the University of New Hampshire's EPA-certified Water Treatment Technology Assistance Center established that the filtration media inside the WaterTap removes over 99.9999% of bacterial (>6 log) and 99.99%(>4 log) of viral contaminants from NSF P231 General Test Water with low turbidity and low total organic carbon.

Note: The lifetime of this product could be substantially reduced for water with high particulate counts or high organic content. To increase its maximum useful life draw clear water where possible.

Seldon

Advanced Science
Simple Solution

- Removes virus & bacteria
- Immediate performance – no waiting time
- Simple operation

Additional Contaminants Removed:

- *Cryptosporidium*
- *Giardia Lamblia*
- Endotoxins
- Chlorine Taste & Odor
- Turbidity

Reduced (partial list):

- Acrolein
- Acrylonitrile
- Antimony
- Arsenic
- Benzene Compounds
- Cadmium
- Carbon Tetrachloride
- Chromium
- Chloroform
- Copper
- Dioxin
- Herbicides
- Iodine
- Lead
- MTBE
- Mercury
- Nitrates
- Paraquat
- Perchlorate
- Pesticides
- Phenol
- Radium
- Selenium
- Thallium
- TOC's
- Trichloroethylene
- Uranium
- Vinyl Chlorides
- VOC's

For Product Information

Seldon Technologies, Inc.
7 Everett Lane, PO Box 710
Windsor, VT 05089, USA

Tel: (802) 674-2444, ext. 200
Fax: (802) 674-2544

Email: info@seldontech.com
Website: www.seldontech.com

This product includes items covered by US Patent 7,211,320. Additional patents are pending.

Last updated May 2008

© 2008 Seldon Technologies, Inc.